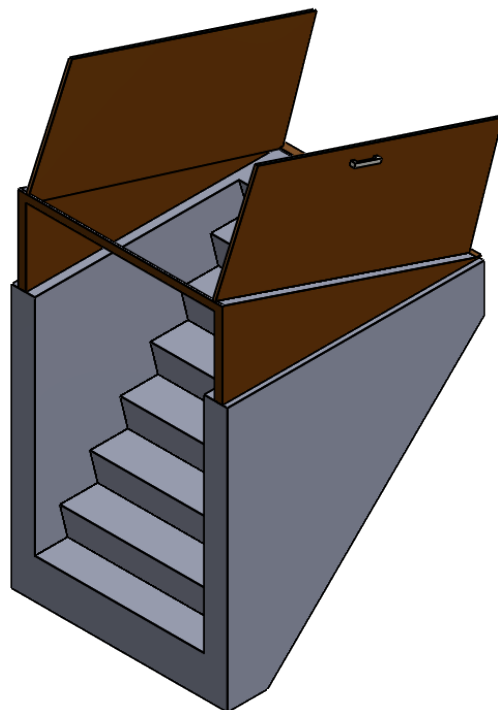
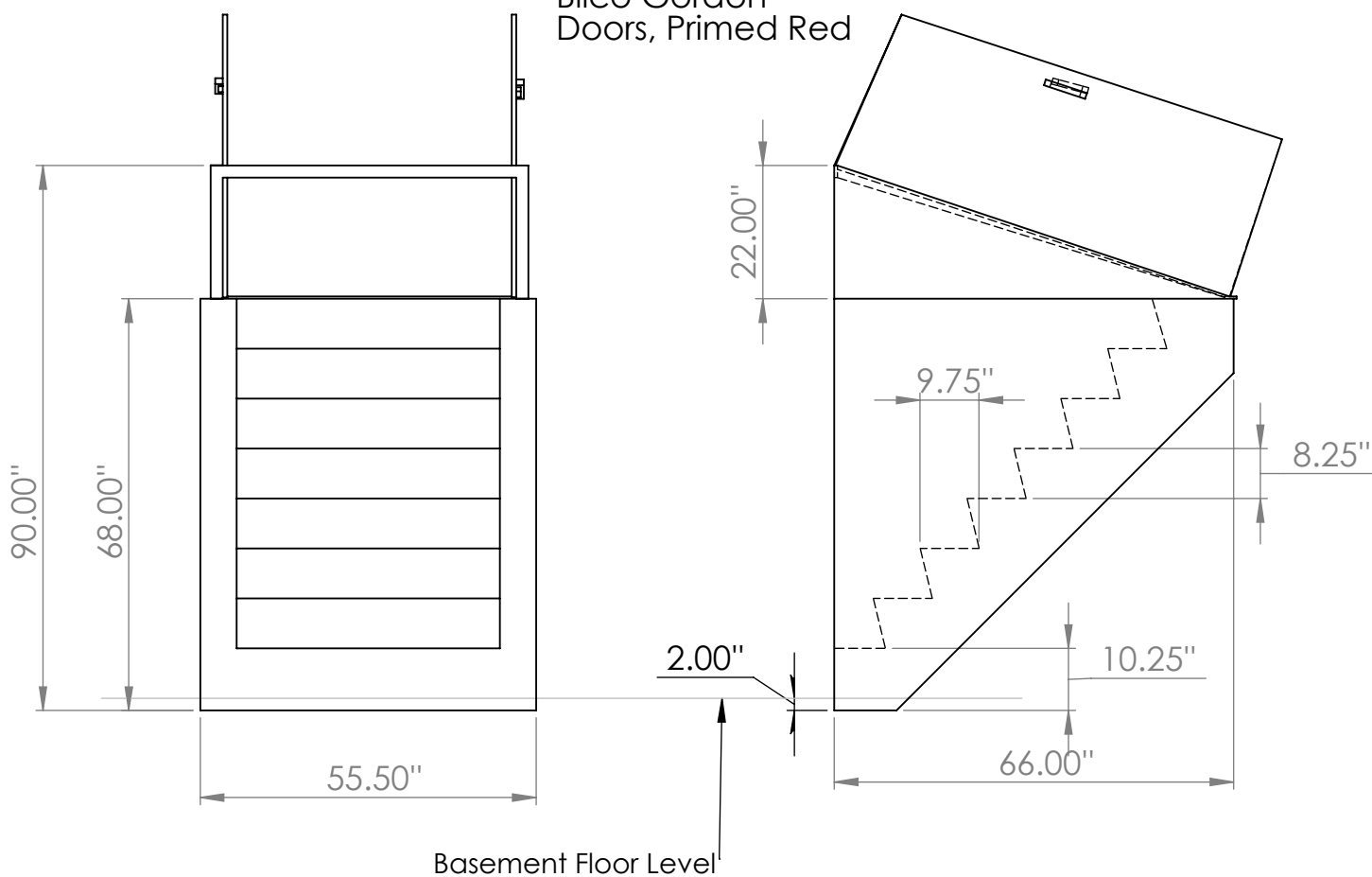


59 Shaw Road, Sanford ME 04073
 Tel:(207)-324-625
 WWW.RPEPIN.COM
 A Division Of R. Pepin & Sons Inc.
 Bulk Head Type B



Bilco Gordon
 Doors, Primed Red



Specification

1. CONCRETE 5,000 PSI AFTER 28 DAYS
2. CEMENT PORTLAND TYPE III PER ASTM C150-81
3. CONSTRUCTION CONFORMS TO DEP TITLE V REGS
4. METAL DOORS DONE BY OTHERS