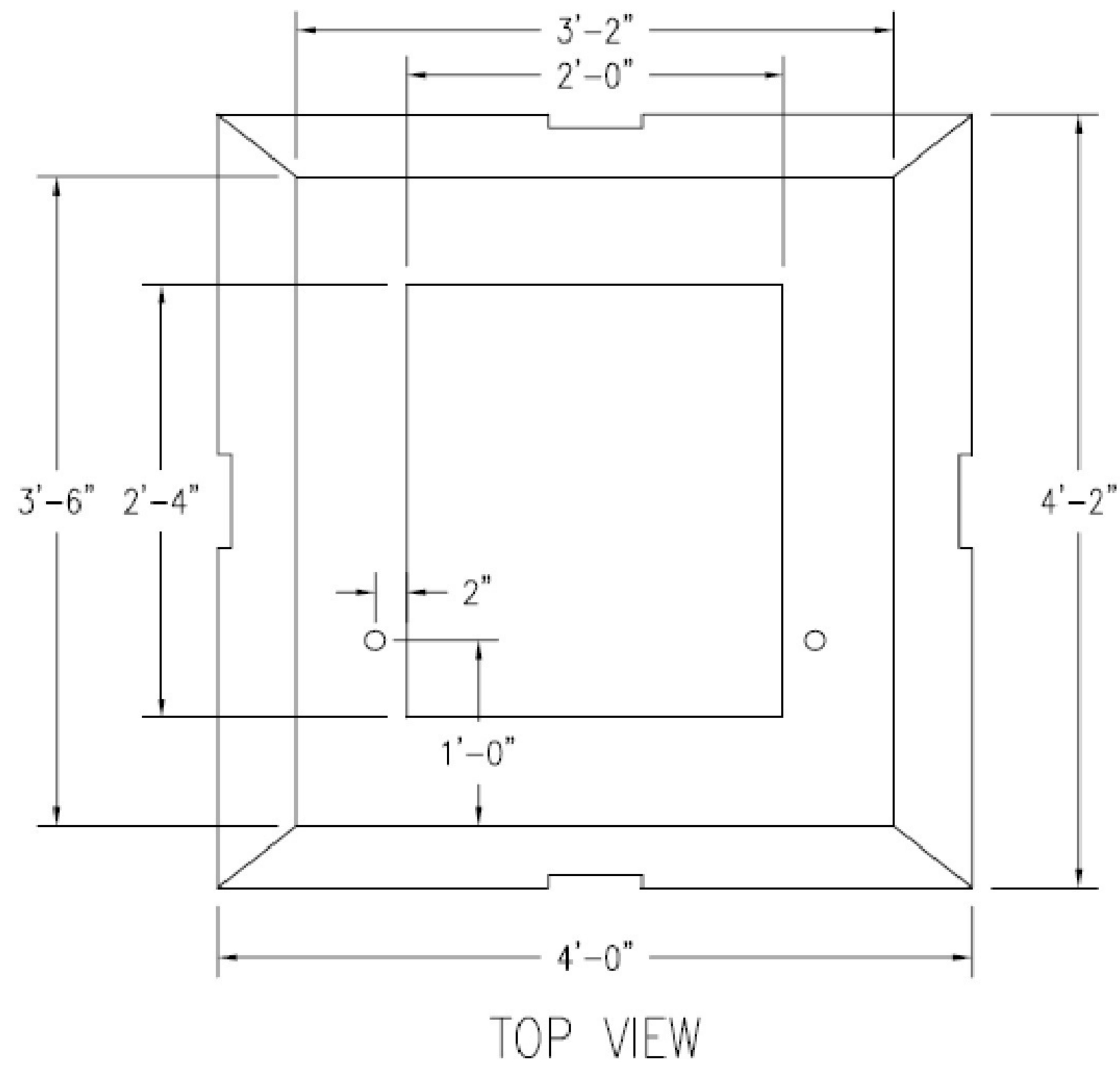


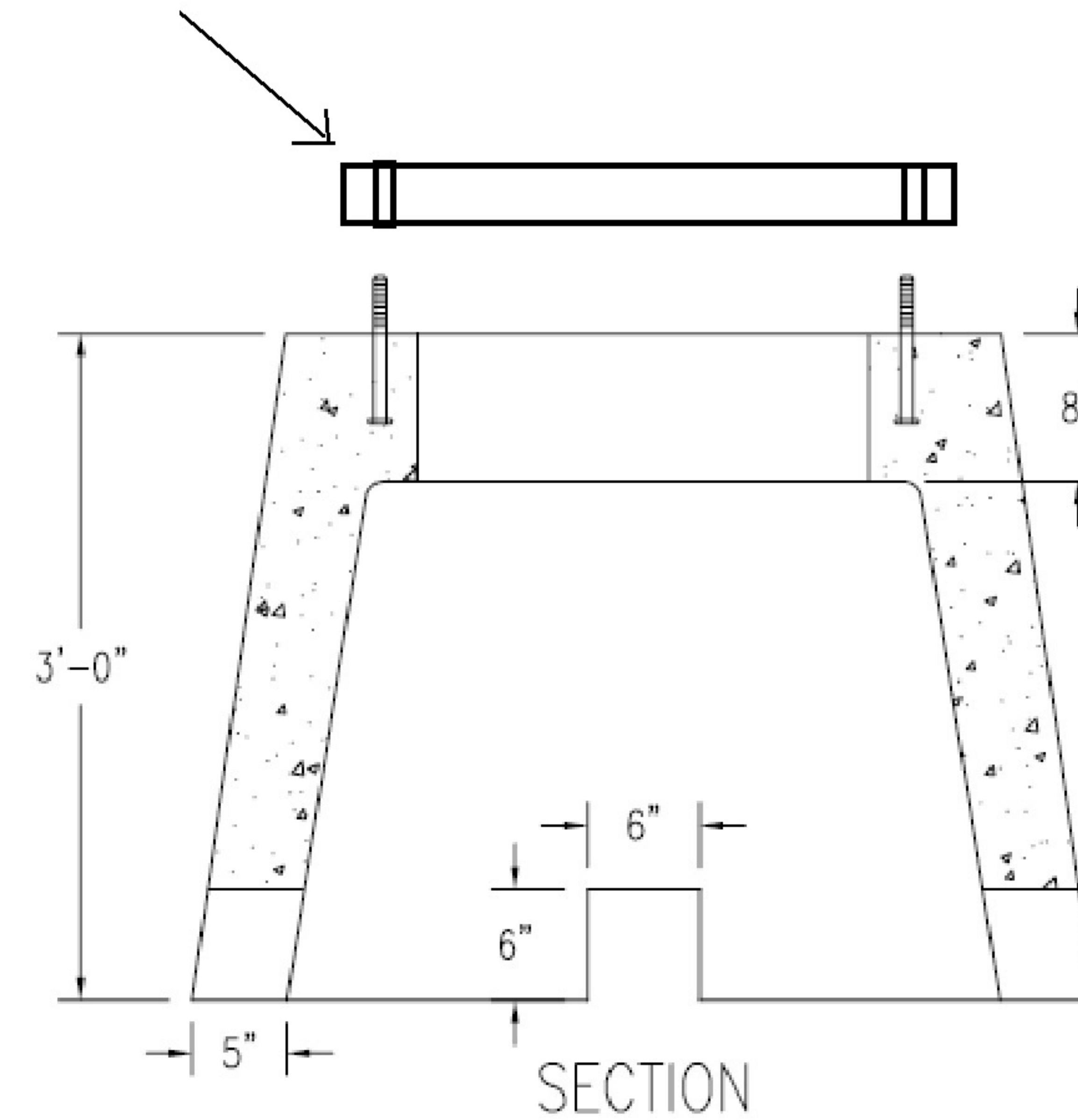
59 Shaw Rd Sanford, Maine  
(207)-324-6125  
www.RPEPIN.com

## Single Phase CMP Residential Transformer Pad (25-167 KVA)

Weight - 3,160 LBS



Optional 3" Cover for  
Hand Holes or J-Boxes



### DESIGN NOTES:

- 1 - CONCRETE 4000 PSI AT 28 DAYS.
- 2 - REINFORCING 4X4 W.W.M.
- 3 - (2) - 5/8" DIA X 8" LONG BOLTS