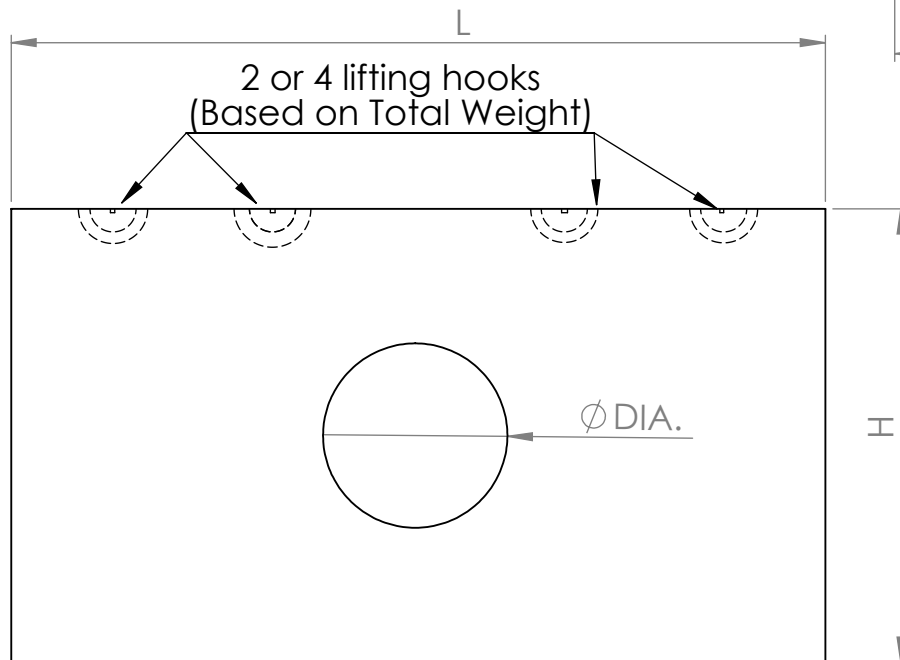
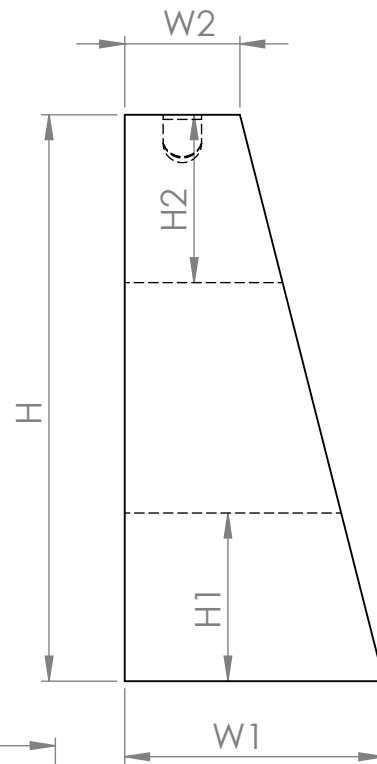


59 Shaw Road, Sanford ME 04073  
 Tel:(207)-324-625  
 WWW.RPEPIN.COM  
 A Division Of R. Pepin & Sons Inc.  
 Headwall



Pipe Inside DIA.	H	L	W1	W2	H1	H2
12"	3'-9"	4'-2"	1'-11"	12"	1'-6"	1'-3"
15"	4'-2"	5'-11"	2'-0"	12"	1'-6"	1'-5"
18"	4'-5"	6'-11"	2'-1"	12"	1'-6"	1'-5"
24"	4'-11"	8'-10"	2'-3"	12"	1'-6"	1'-5"

Specification

1. CONCRETE 5,000 PSI AFTER 28 DAYS
2. CEMENT PORTLAND TYPE II PER ASTM C150-81
3. STEEL REINFORCEMENT PER ASTM A-615. GRADE 60
4. DESIGN LOADING PER AASHTO HS-20
5. JOINTS SEALED WITH CONSEAL CS-102 BUTYL SEALAN