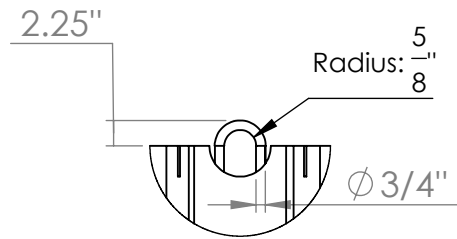
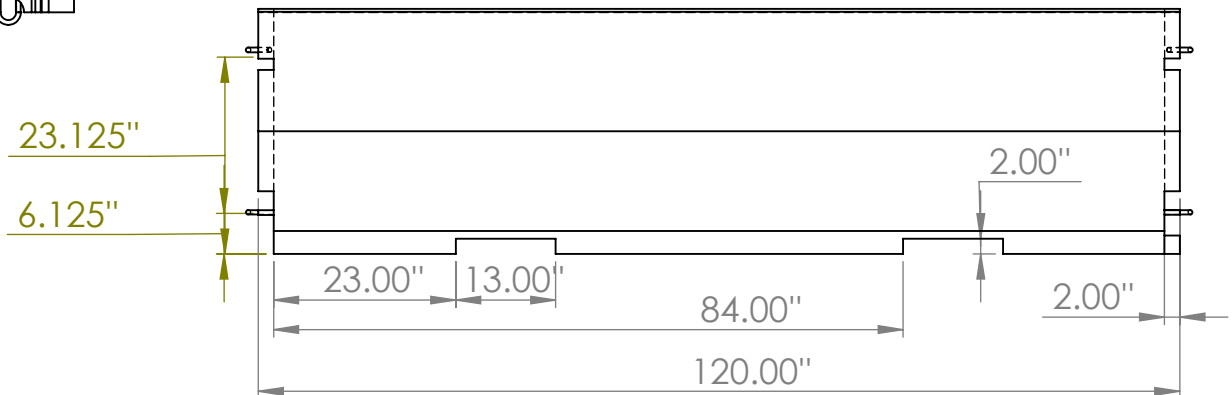
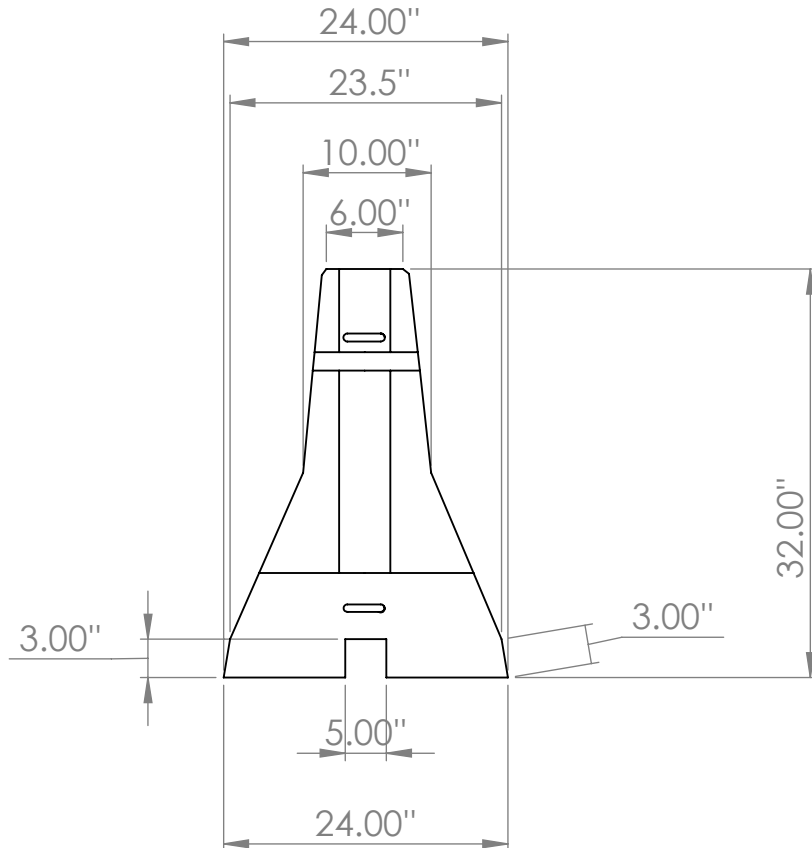
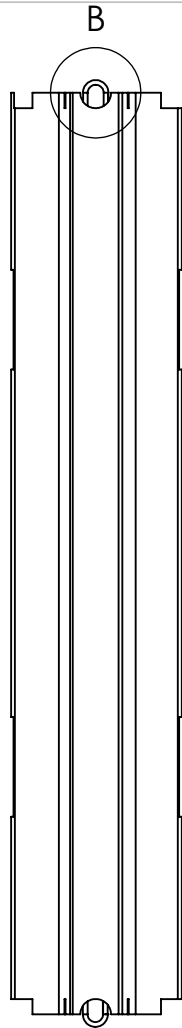


59 Shaw Road, Sanford ME 04073
 Tel:(207)-324-625
 WWW.RPEPIN.COM
 A Division Of R. Pepin & Sons Inc.
 Jersey Barrier



DETAIL B
 SCALE 2 : 25



Specification

1. CONCRETE 5,000 PSI AFTER 28 DAYS
2. CEMENT PORTLAND TYPE III PER ASTM C150-81
3. STEEL REINFORCEMENT PER ASTM A-615. GRADE 60
4. DESIGN LOADING PER AASHTO HS-20