

PEPIN PRECAST

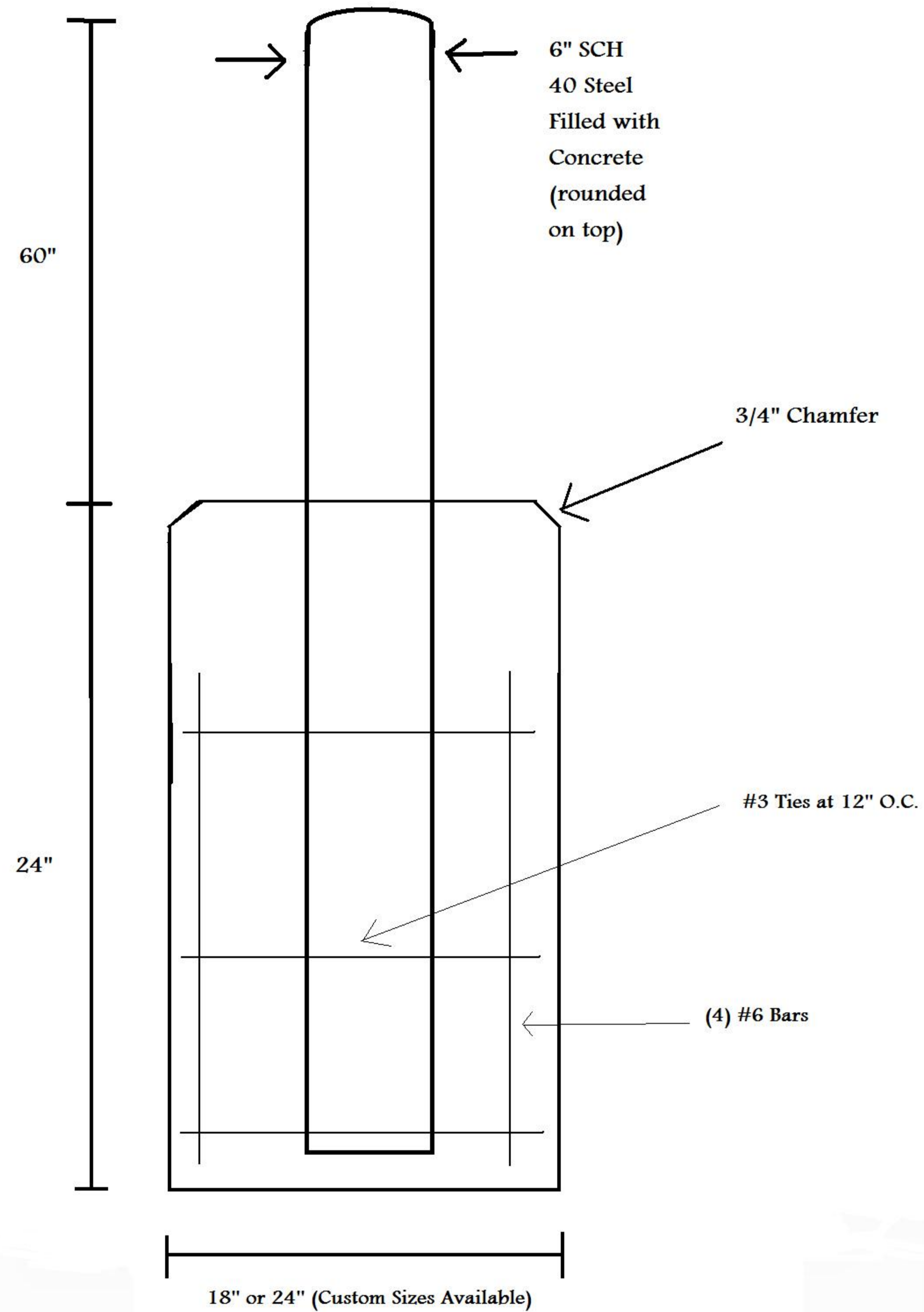
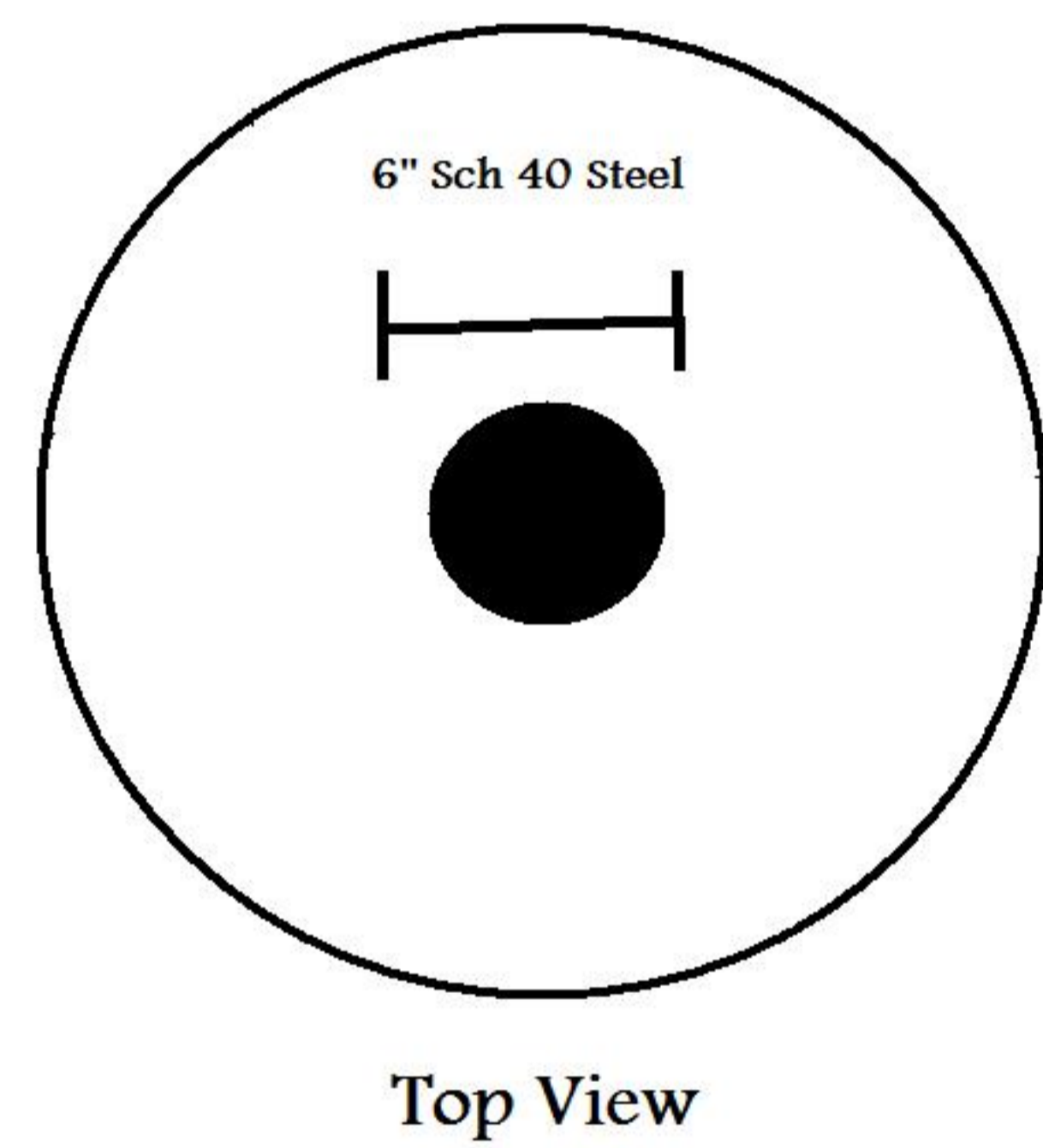
59 Shaw Road, Sanford ME 04073

Tel: (207)-324-6125

WWW.RPEPIN.COM

A Division of R. Pepin & Sons Inc.

Precast Pipe Bollards



Specifications:

1. 4000 PSI Concrete at 28 days.
3. Cement: Portland Type II per ASTM C150-81
4. Weight = 465 LBS per Vertical Foot
5. Custom Sizes Available on Request